

CBCS SCHEME



USN

--	--	--	--	--	--	--	--	--	--

17CV81

Eighth Semester B.E. Degree Examination, July/August 2022 Quantity Surveying and Contracts Management

Time: 3 hrs.

Max. Marks: 100

Note: Answer any FIVE full questions, choosing ONE full question from each module.

Module-1

- 1 The details of Residential building is as shown in Fig. Q1. Estimate and cost of each item of work.
- i) Earth work excavation for foundation in ordinary soil at Rs. 300/m³
 - ii) Cement concrete bed 1 : 4 : 8 for wall foundations at Rs. 2500/m³
 - iii) S.S.M [Size Stone Masonry] 1:8 for footings and basement foundations Rs. 2000/m³
 - iv) First class BBM (Burnt Brick Masonry) work for super structure in cm 1 : 6 at Rs. 2000/m³.

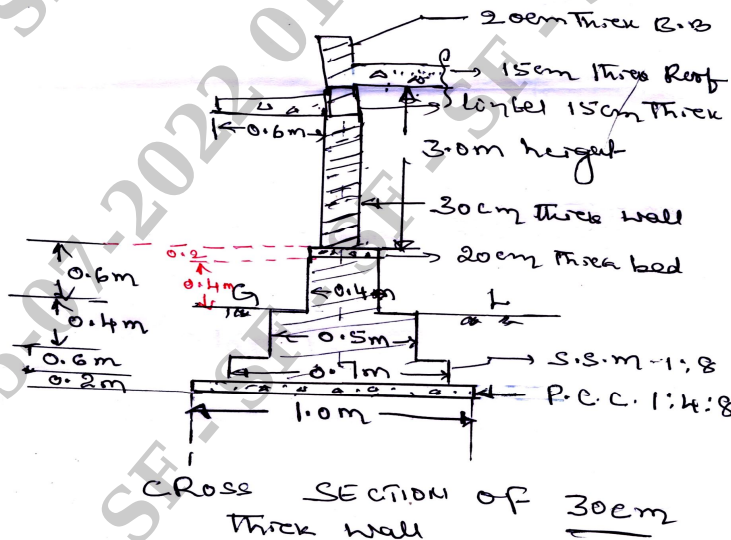
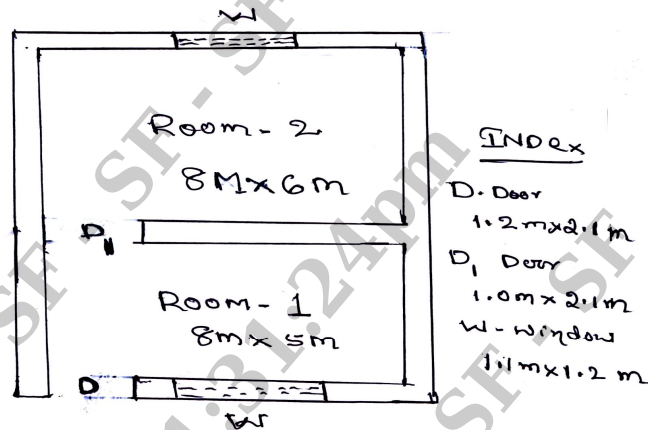


Fig. Q1

(20 Marks)

OR

- a. What are the different types of estimates? Explain any two types of estimation. (10 Marks)
- b. What is meant by Estimation? List the purpose of Estimation (10 Marks)

Important Note : 1. On completing your answers, compulsorily draw diagonal cross lines on the remaining blank pages.
2. Any revealing of identification, appeal to evaluator and/or equations written eg, 42+8 = 50, will be treated as malpractice.

Module-2

- 3 The details of a septic tank is as shown in Fig.Q3. Estimate the quantities for the following items of work.
- a. Earth work excavation in foundation (05 Marks)
 - b. Cement concrete 1:3:6 floor and foundation. (05 Marks)
 - c. First class brick work with cement mortar 1:4 (05 Marks)
 - d. 12mm Thick cement plaster. (05 Marks)

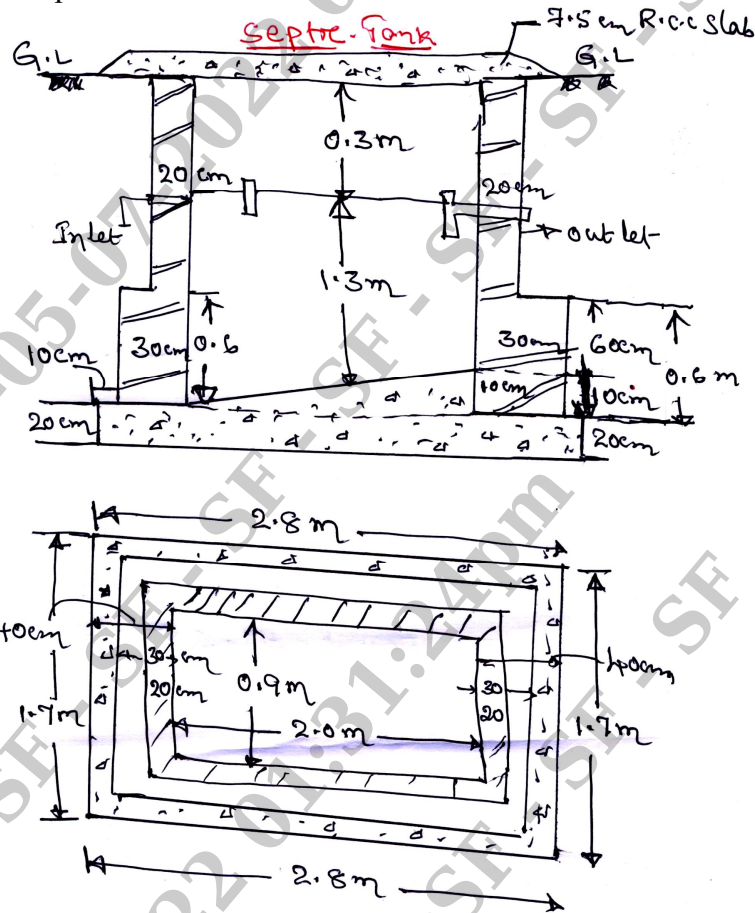


Fig.Q3

OR

- 4 Estimate the cost of Earth work embankment for the portion of road 300m long from the following data. Cost of earth work Rs. 80.00/m³.

Formation Levels	106.8	← Down gradient 1 in 100 →					
RL of Ground	105.42	104.3	104.8	104	102.9	102	102.6
Distance in meter	0	50	100	150	200	250	300

Formation width : 10 m

Side slopes in Embankment : 2:1

(20 Marks)

Module-3

- 5 Write the detailed technical specification for the following :
- a. Earth work excavation for foundation
 - b. Burnt Brick Masonry in CM 1:6
 - c. Plastering in CM 1:6 to interior surfaces
 - d. Painting for inside walls.

(20 Marks)



17CV81

OR

- 6 Carry out the rate analysis of the following items:
- First class brick work in C.M 1:4 for super structure
 - Cement concrete for foundation 1:4:8 bedding
 - 2.5 cm thick cement concrete 1:2:4 for floor
 - 12mm thick cement plastering 1:6 on new brick work.
- (20 Marks)

Module-4

- 7 a. What is tender? How tenders are invited? (06 Marks)
b. Explain briefly types of contract. (14 Marks)

OR

- 8 a. What are the terms and conditions of contract? (10 Marks)
b. Explain briefly :
(i) Administrative Approval
(ii) Technical Sanction (10 Marks)

Module-5

- 9 a. What is valuation? What are the purpose of valuation? (10 Marks)
b. What is Depreciation? What are the methods of calculating depreciation? (10 Marks)

OR

- 10 a. Explain the methods of valuation. (10 Marks)
b. Explain the following :
i) Gross income
ii) Net income
iii) Capitalized value
iv) Sinking Fund (10 Marks)

* * * * *